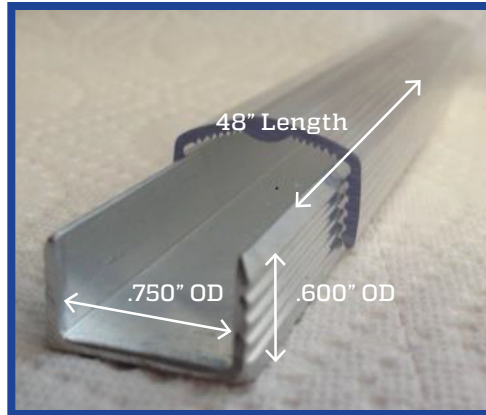




Diffuser Specialist

Linear Prism L.E.D. Lens and Matching Base

“Eye catching prisms deflect the light”



General Description

Linear Prism LED Mounting Channel Lens and base are ideal for walls and ceilings, under cabinets, counter lighting, cove lighting, Vanity/ Bathrooms, Bars / Restaurants, Theater / Night Clubs, Signs / Displays.

Features and Benefits

Linear Prism LED mounting Channel lenses are extruded from durable polycarbonate. Lens features a linear serrated prism pattern that provides beam angles for maximum eye appeal.

To be used with our base in either polycarbonate or aluminum for heat dispersion.

Channel can be installed either horizontally or vertically. Easy install with double sided tape or screw on.

Sizes and Colors

DIE #391 is extruded in smooth “clear” Polycarbonate with linear prism.

Dimensions .740” wide and .600” high.

DIE # 369 matching Base is available in clear, and white polycarbonate or aluminum for heat dispersion. 36.

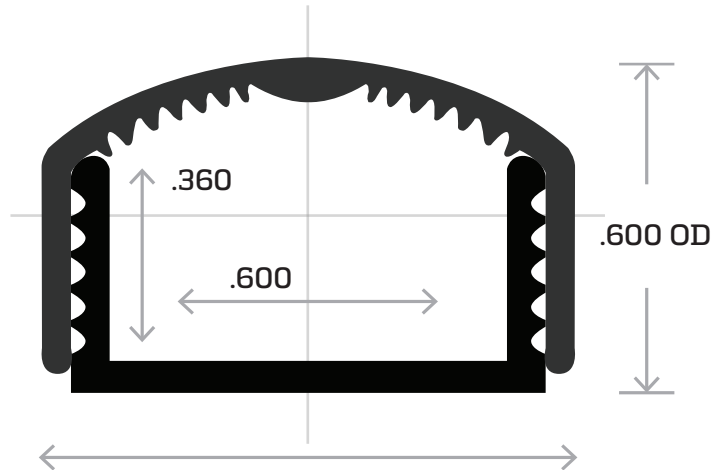
Lengths can be customized. Standard is 48” or 96”



Diffuser Specialist

Linear Prism L.E.D. Lens and Matching Base

"Eye catching prisms deflect the light"



Part Numbers and Description

DIE #391 LED LINEAR PRISM LENS COVERS

PART NUMBER	DESCRIPTION
LC..P/C.391.CLR.48	DIE #391 P/C LINEAR PRISM LENS COVER CLEAR 48"

FOR LENS COVER IN 96" LENGTH- PLEASE CALL

DIE # 369 MOUNTING BASE

PART NUMBER	DESCRIPTION
BA.ALU.369.48	DIE #369 ALUMINUM BASE 48"
BA.ALU. 369.96	DIE #369 ALUMINUM BASE 96"
BC.369.CLR.48	DIE #369 CLEAR BASE 48"
BC.369.CLR.96	DIE #369 CLEAR BASE 96"
BW.369.WHT.48	DIE #369 WHITE BASE 48"