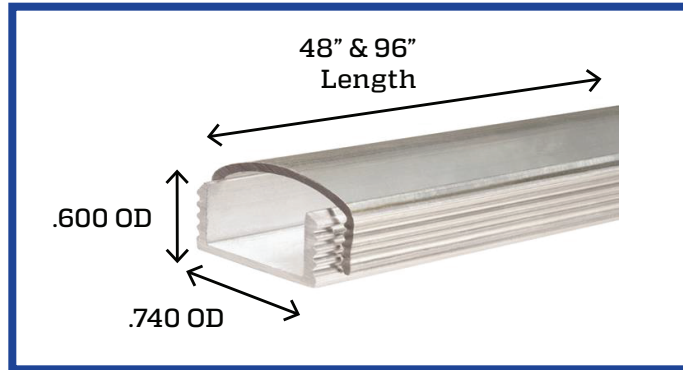




Diffuser Specialist

Standard Mounting Channel and Base LED Applications
DIE #370 COVER with Matching DIE #369 BASE



General Description

Ideal LED Standard Mounting Channel Lens and base for under cabinets, counter lighting, cove lighting, Vanity/ Bathroom, Bars / Restaurant, Theater/ Night clubs, Signs/ Displays.

Channel can be installed either horizontally or vertically. It is easy to install with Double sided tape or screw on.

Features and Benefits

The Standard LED Mounting Channel lens is extruded from durable polycarbonate and Acrylic Frosts materials. Base is available in polycarbonate or aluminum for heat dispersion. Aluminum has 3 drilled holes per 48" length and 96" length.

Sizes and Colors

DIE #370 LED Standard Mounting Channel (See back of flyer for drawing with dimensions).

Colors in smooth Polycarbonate include Blue, Green, Red, Amber, Clear and white and Black. .

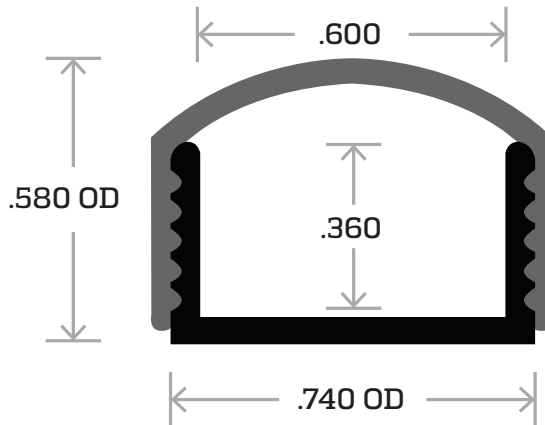
DIE #370 also available in Acrylic Natural Frost or White Frost Lengths can be customized. Standard is 48" or 96."

DIE #369 matching Base is available in Clear, White, Black polycarbonate or Aluminum for heat dispersion. Lengths can be customized. Standard is 48" OR 96."



Diffuser Specialist

Standard Mounting Channel and Base LED Applications
DIE #370 COVER with Matching DIE #369 BASE



Part Numbers and Description

DIE #370 LED LENSES

PART NUMBER

LC.P/C.370.CLR.48
LC.P/C.370.CLR.96
LFST.ACR370.N/FST.48
LWFST.ACR.370.W/ FRST.48
LR.P/C.370.RED.LENS.48
LG.P/C.370.GRN.LED48
LB.P/C.370.BLU.48
LA.P/C.370.AMB.48
LW.P/C.370.WHT.48

DESCRIPTION

DIE #370 P/C LED LENS COVER CLEAR 48"
DIE #370 P/C LED LENS COVER CLEAR 96"
DIE #370 ACR LED LENS COVER NATURAL FROST 48"
DIE #370 ACR LED LENS COVER WHITE FROST 48"
DIE #370 P/C LED LENS COVER RED 48"
DIE #370 P/C LED LENS COVER GREEN 48"
DIE #370 P/C LED LENS COVER BLUE 48"
DIE # 370 P/C LED LENS COVER AMBER 48"
DIE #370 P/C LED LENS COVER WHITE 48"

DIE # 369 MOUNTING BASE

PART NUMBER

BA.ALU.369.ALU.48
BA.ALU.369.ALU.96
BC.P/C.369.CLR.48
BC.P/C.369.CLR.96
BW.P/C.369.WHT.48
BW.P/C.369.WHT.96

DESCRIPTION

DIE #369 ALUMINUM BASE 48"
DIE #369 ALUMINUM BASE 96"
DIE #369 P/C CLEAR BASE 48"
DIE #369 P/C CLEAR BASE 96"
DIE #369 P/C WHITE BASE 48"
DIE #369 P/C WHITE BASE 96"