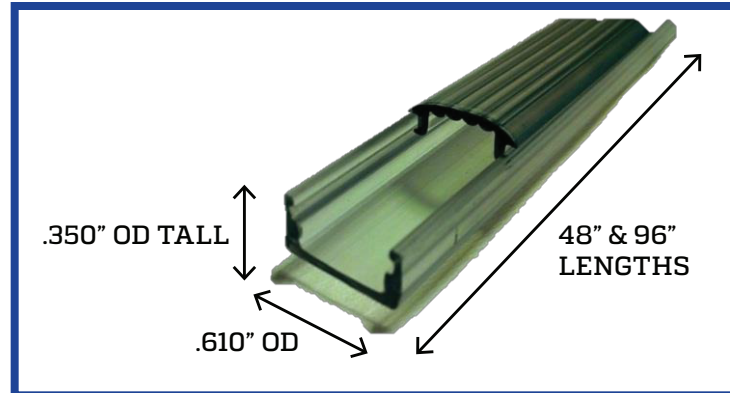




Diffuser Specialist

Small Mounting Channel and Base for LED Applications
Internal Snap-In Lens



General Description

Ideal LED Small Mounting Channel Lens and base for under cabinets, counter lighting, cove lighting, Vanity/ Bathrooms, Bars / Restaurant, Theater / Night Clubs, Signs / Displays.

Features and Benefits

Small mounting Channel lens and base are extruded from durable polycarbonate.

Lens includes small prism pattern that continue through entire length of channel.

Channel can be installed either horizontally or vertically. Easy install with double sided tape or screw on.

Sizes and Colors

DIE #361 is extruded in smooth "clear" Polycarbonate. Lens Cover has lengthwise prism.

Dimensions - .610" wide and .350 tall.

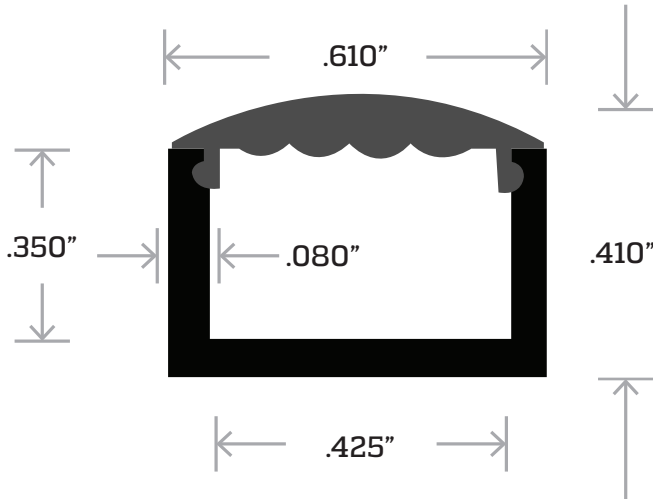
DIE #315A base in Clear polycarbonate is .425" wide and .250" tall Leg. Lengths can be customized.

Standard is 48" or 96."



Diffuser Specialist

Small Mounting Channel and Base for LED Applications
Internal Snap-In Lens



Part Numbers and Description

DIE #361 SMALL INTERNAL SNAP-IN LED LENS COVER

PART NUMBER - LENS COVER

LC.P/C.CLR.INT.PSM.361.48
LC.P/C.WHT.INT.PSM.361.48
LC.P/C.CLR.INT.PSM.361.96
LC.ACR.NATFST.INT.PSM.361.48
LC.ACR.WHTFST.INT.PSM.361.48

DESCRIPTION

DIE #361 SMALL INT SNAP-IN WITH RIBS/PRISMS LENS COVER CLEAR 48"
DIE #361 SMALL INT SNAP-IN WITH RIBS/PRISMS LENS COVER WHITE 48"
DIE #361 SMALL INT SNAP-IN WITH RIBS/PRISMS LENS COVER CLEAR 96"
DIE #361 SMALL INT SNAP-IN WITH RIBS/PRISM LENS COVER NAT-FROST 48"
DIE #361 SMALL INT SNAP-IN WITH RIBS/PRISM LENS COVER WHT-FROST 48"

DIE # 315A MOUNTING BASE

PART NUMBER - MOUNTING BASE

BA.P/C.315A.CLR.48
BA.P/C.315A.CLR.96

DESCRIPTION

DIE # 315A P/C CLEAR BASE 48"
DIE # 315A P/C CLEAR BASE 96"

*IF WHITE BASE IS DESIRED, PLEASE CALL FOR PRICING